

Please note that the data given here has been taken from the online catalog. For comprehensive information and data, please refer to the user documentation at <http://www.download.phoenixcontact.com>. The General Terms and Conditions of Use apply to Internet downloads.

► Extract from the online catalog



NS 35 DIN rail, height 7.5 mm, length 755 mm

Order No.	1207640
Ord designation	NS 35/ 7,5 PERF 755MM
EAN	4017918932640
Pack	10 Pcs.
Customs tariff	72166190
Weight/Piece	0.135 KG
Catalog page information	Page 505 (CL-2007)

► Product notes

WEEE/RoHS-compliant since: 08/25/2006



IMPORTANT : This date is valid for Customers in Germany only. Date Format is MM/DD/YYYY. Please contact your local in-country Phoenix Contact location or designated business partner for a Logistics Compliant date in your area. In order to guarantee delivery of RoHS-Compliant product, please purchase Phoenix Contact parts from authorized Phoenix Contact representatives and distributors.

NS 35/ 7,5 PERF 755MM



▶ **Technical data**

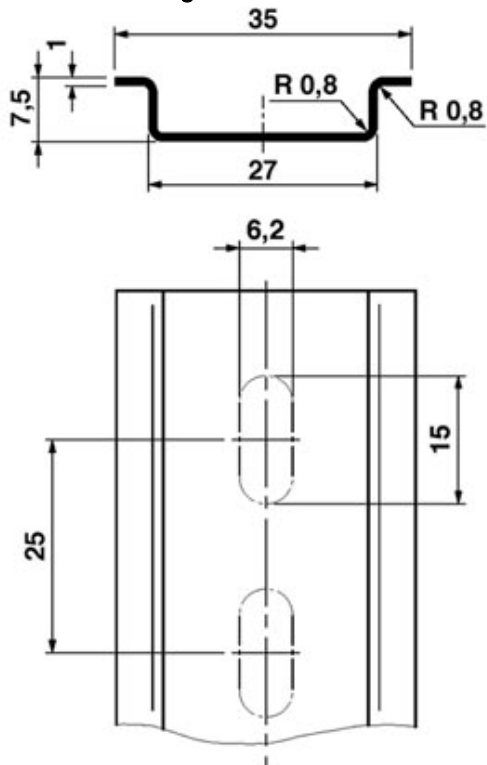


General data

Height	7.5 mm
Length	755 mm
Width	35 mm
Material	Steel
Color	silver

► Drawings

Dimensioned drawing



► Address

PHOENIX CONTACT GmbH & Co. KG
Flachsmarktstr. 8
32825 Blomberg
Germany
Phone +49 5235 3 00
Fax +49 5235 3 41200
<http://www.phoenixcontact.de>
Phoenix Contact
Technical modifications reserved;